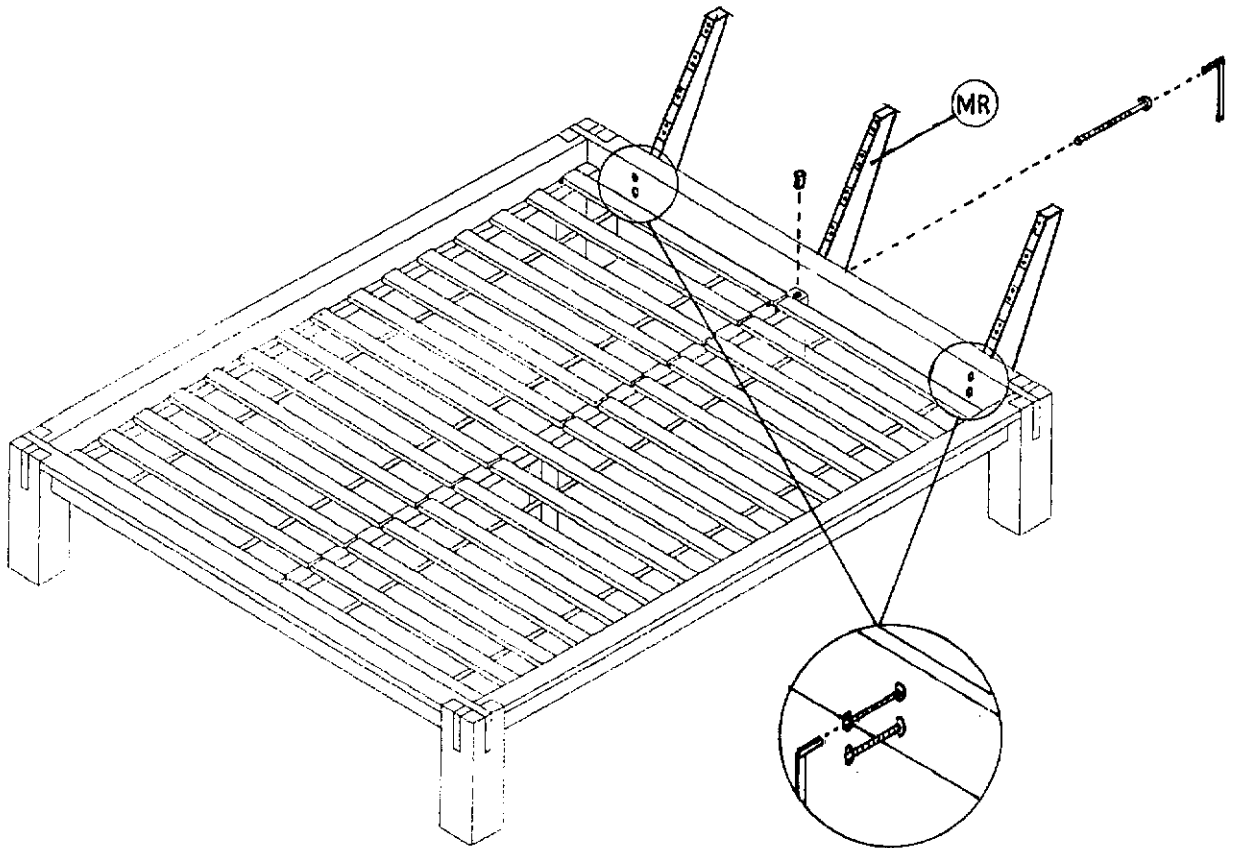


Assembly Instruction

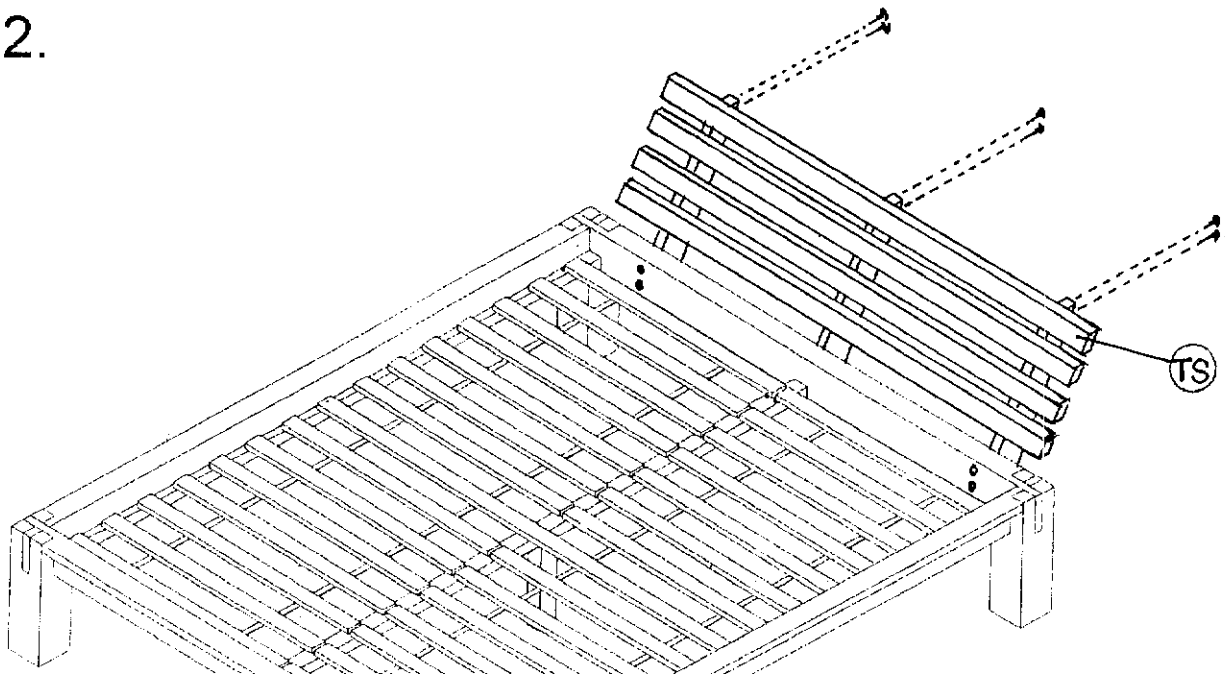
Tatami Headboard

PO no: HJT - IKM - 038

1.



2.

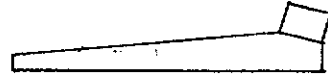




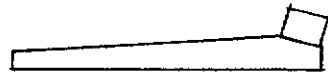
Parts Checklist

Please count and check every component carefully before Assemble

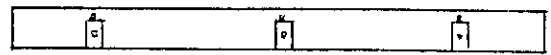
① Headboard Middle Rail (MR) x 1



② Headboard Left Rail & Right Rail x 2



③ Headboard Top Slat (TS) x 1



④ Headboard 2nd, 3rd & 4th Slat x 3



Fittings Checklist

Please count and check every component carefully before Assemble

a Allen Key x 1



b Long Bolt x 4



c Long Bolt With Barrel Nut x 1



d Screw x 24

